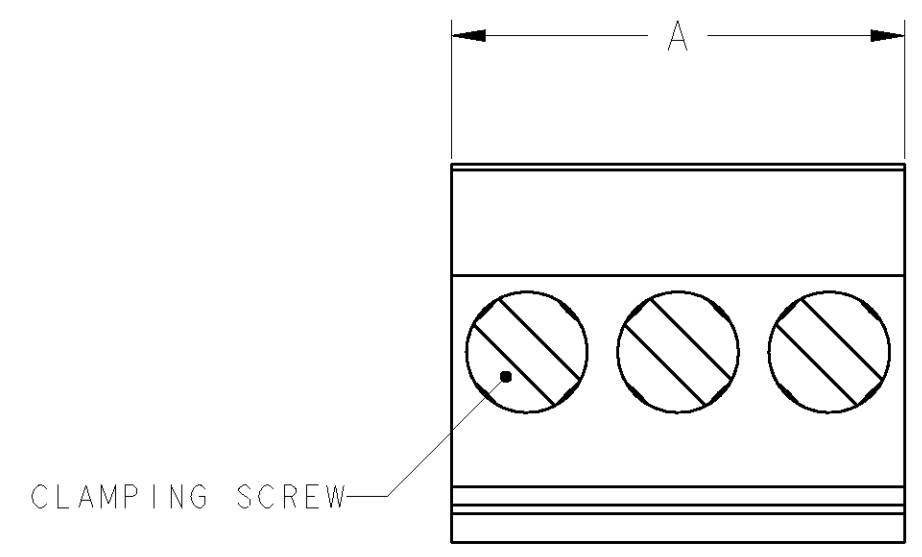
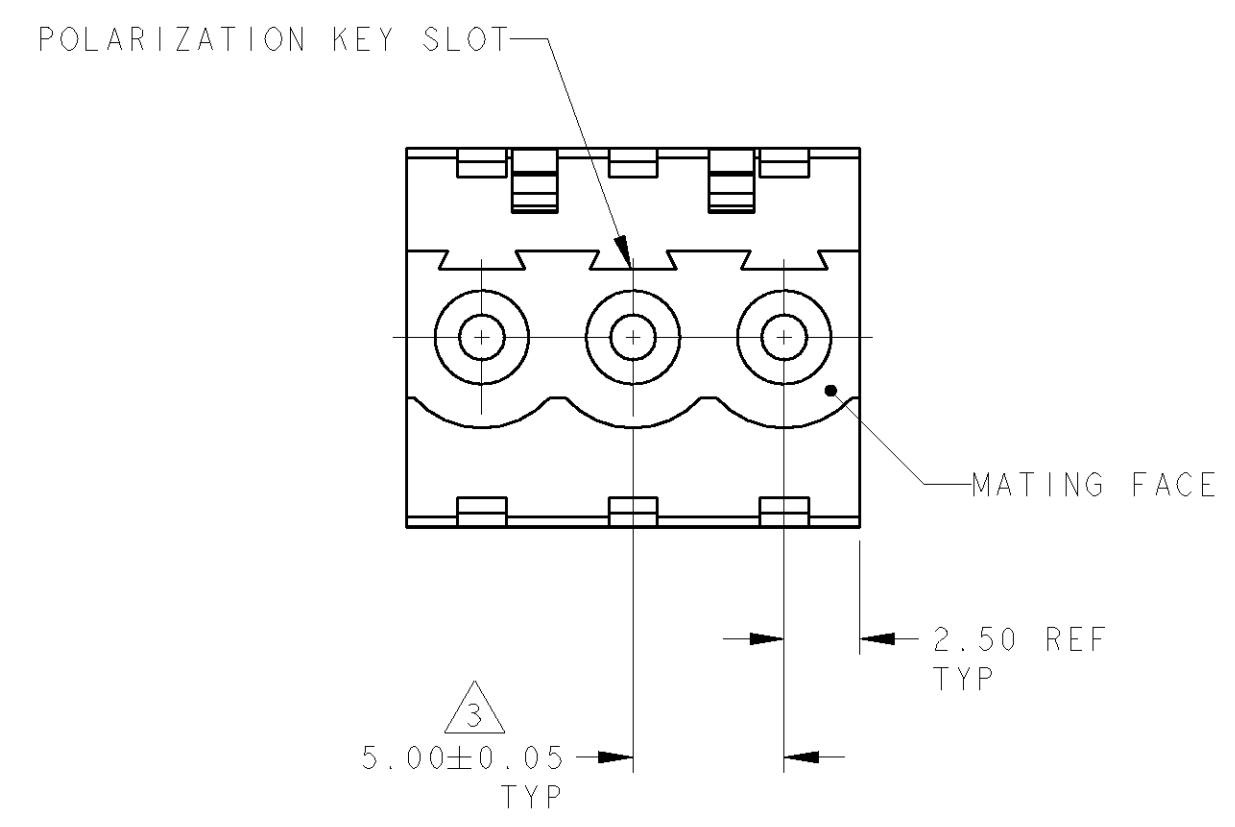
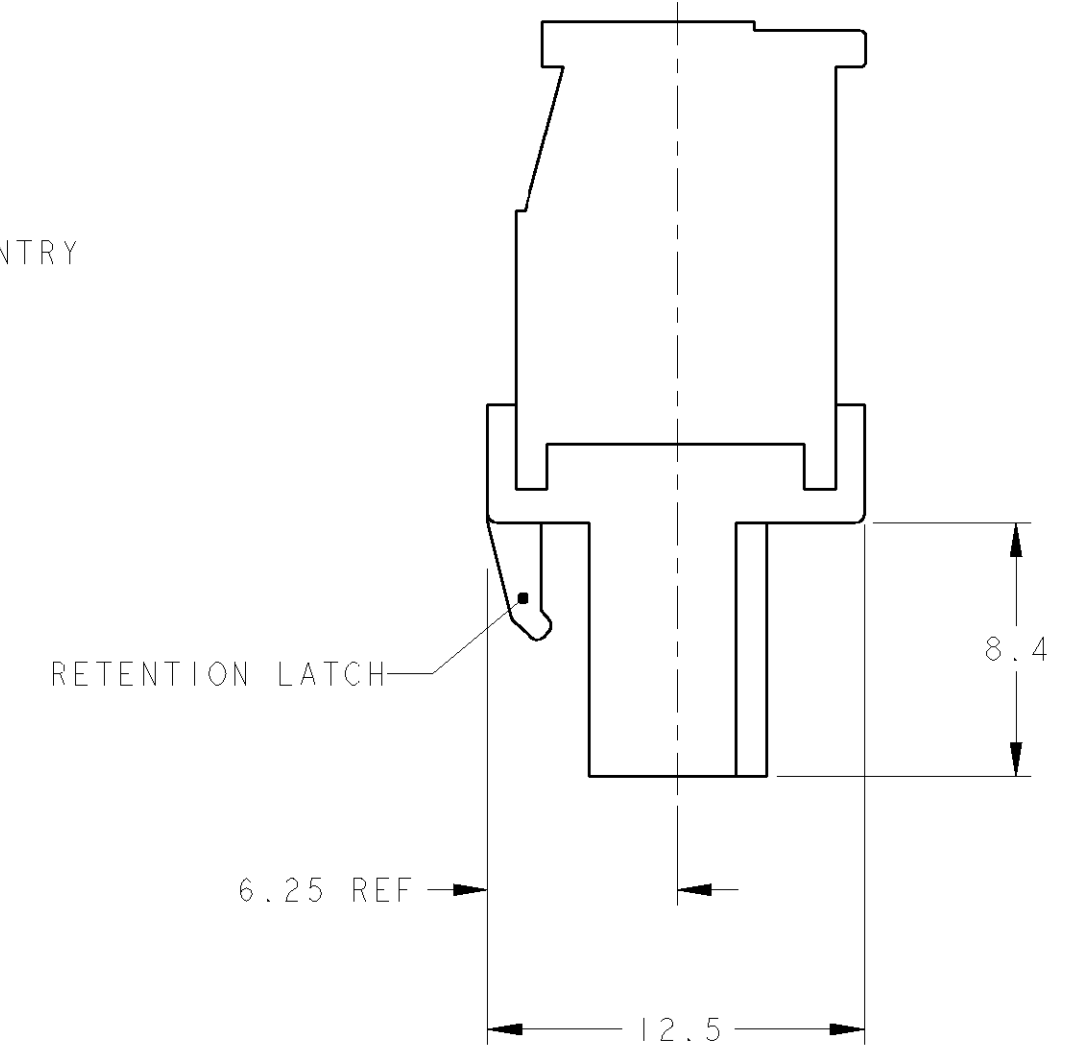
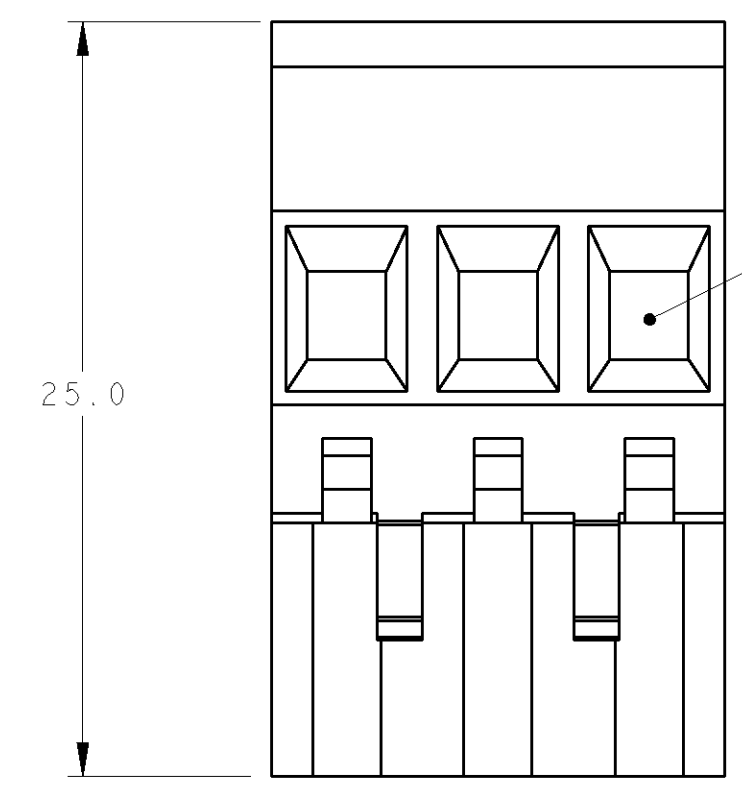


LOC	DIST	REVISIONS					
FT	0	P	LTR	DESCRIPTION	DATE	DWN	APVD
		D		REVISED EC 0G3B-0880-03	23JAN2003	SW	CR
		E		REVISED EC 0G3B-0916-03	23JAN2004	SW	CR



- 1. MATERIALS AND FINISH
 HOUSING: PA 6-6, UL 94-V0, COLOR: GREEN.
 CLAMP: BRASS, NICKEL PLATED.
 CONTACT SPRING : PHOSPHOR BRONZE, TIN PLATED.
 CLAMPING SCREW: M3, BRASS, NICKEL PLATED.
- 2. WIRE SIZE RANGE: 12 - 30 AWG
- 3. NOT CUMULATIVE TOLERANCE.
- 4. INK MARKING, COLOR: BLACK.



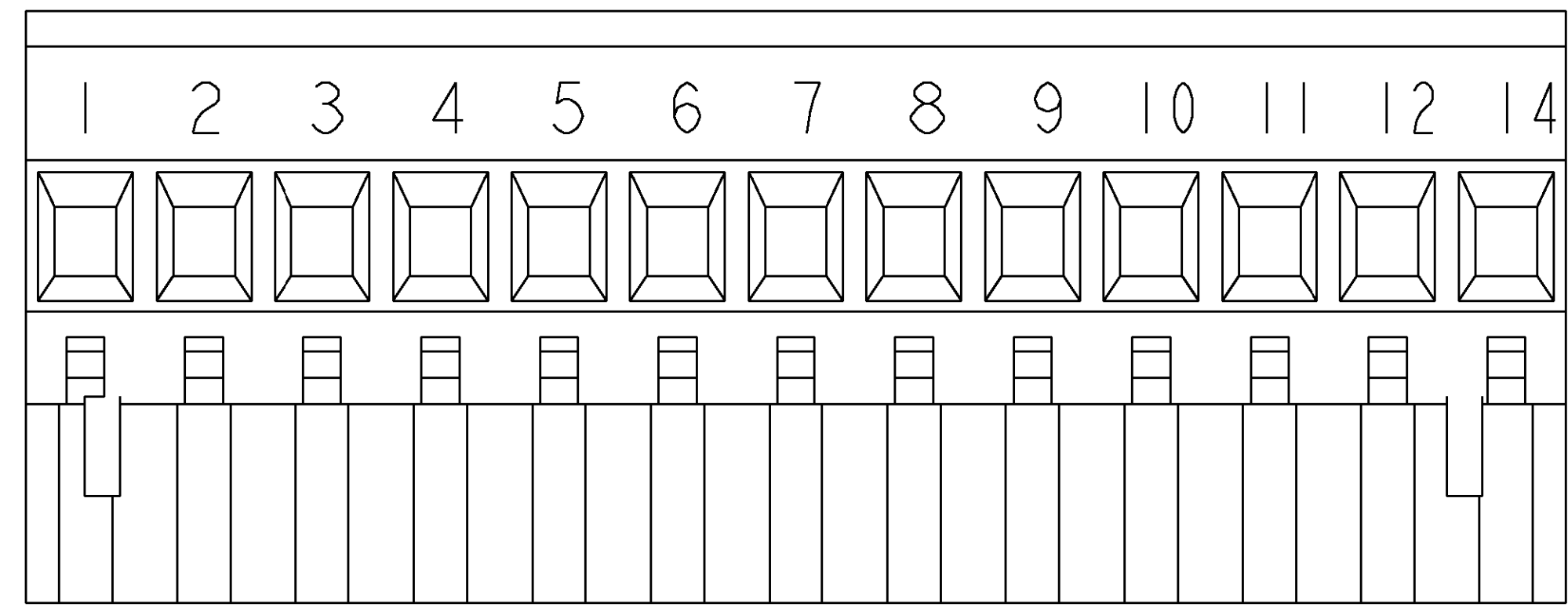
TIN PLATED	SEE SHEET 2	15.0	3	3-284046-1
	SEE SHEET 2	10.0	2	3-284046-0
0.00076[.000030]	SEE SHEET 2	25.0	5	2-284046-9
SELECT GOLD	-	25.0	5	2-284046-8
	SEE SHEET 2	65.0	13	2-284046-7
	SEE SHEET 2	40.0	8	2-284046-6
	-	125.0	25	2-284046-5
	-	120.0	24	2-284046-4
	-	115.0	23	2-284046-3
	-	110.0	22	2-284046-2
	-	150.0	21	2-284046-1
	-	100.0	20	2-284046-0
	-	95.0	19	1-284046-9
	-	90.0	18	1-284046-8
	-	85.0	17	1-284046-7
	-	80.0	16	1-284046-6
	-	75.0	15	1-284046-5
	-	70.0	14	1-284046-4
	-	65.0	13	1-284046-3
	-	60.0	12	1-284046-2
	-	55.0	11	1-284046-1
	-	50.0	10	1-284046-0
	-	45.0	9	284046-9
	-	40.0	8	284046-8
	-	35.0	7	284046-7
	-	30.0	6	284046-6
	-	25.0	5	284046-5
	-	20.0	4	284046-4
	-	15.0	3	284046-3
	-	10.0	2	284046-2

CONTACT FINISH	MARKING	A	NO OF POSN	PART NUMBER
TIN PLATED				

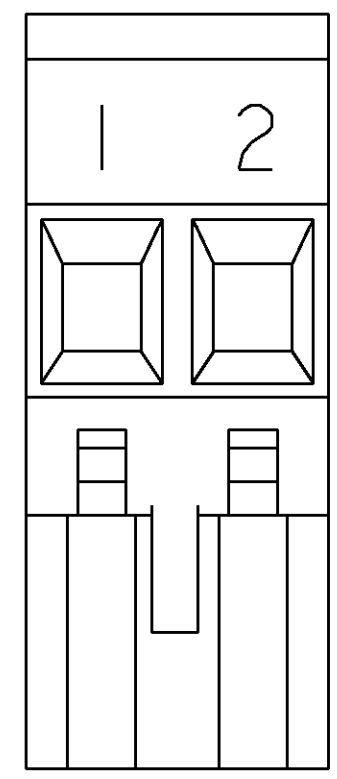
THIS DRAWING IS A CONTROLLED DOCUMENT FOR TYCO ELECTRONICS CORPORATION IT IS SUBJECT TO CHANGE AND THE CONTROLLING ENGINEERING ORGANIZATION SHOULD BE CONTACTED FOR THE LATEST REVISION.		DWN S. WELDON 05FEB2003 CHK C. RICHARD 05FEB2003 APVD C. RICHARD 05FEB2003	Tyco Electronics Harrisburg, PA 17105-3608
DIMENSIONS: mm	TOLERANCES UNLESS OTHERWISE SPECIFIED: 0 PLC ±.3 1 PLC ±.3 2 PLC ±.25 3 PLC ±.25 4 PLC ±.25 ANGLES ±2 FINISH	NAME PRODUCT SPEC APPLICATION SPEC WEIGHT	BUCHANAN TERMINAL BLOCK, VERTICAL PLUG, STACKING, RIGHT HAND, 5.00mm PITCH SIZE A2 CAGE CODE 00779 DRAWING NO G-284046 RESTRICTED TO - SCALE 4:1 SHEET 1 OF 2 REV E
MATERIAL		CUSTOMER DRAWING	

THIS DRAWING IS UNPUBLISHED. RELEASED FOR PUBLICATION 20
 © COPYRIGHT 20 BY TYCO ELECTRONICS CORPORATION. ALL RIGHTS RESERVED.

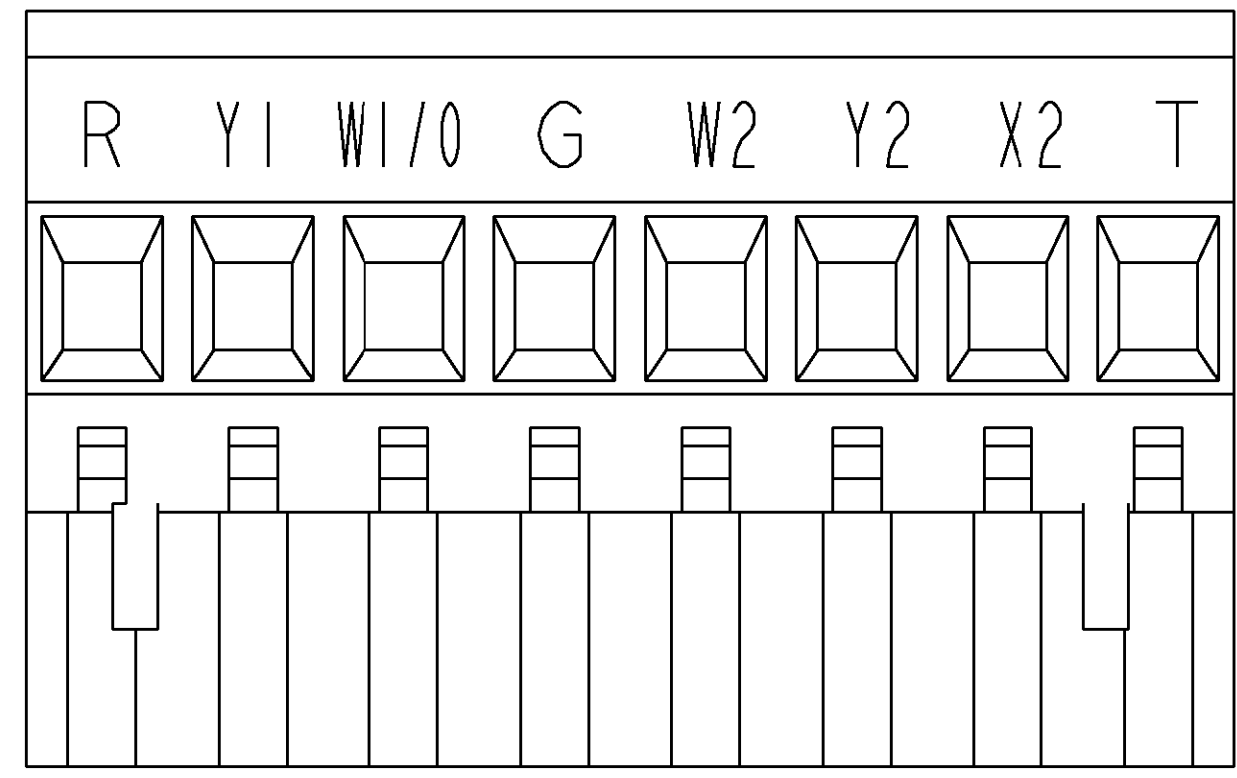
LOC	DIST	REVISIONS					
FT	0	P	LTR	DESCRIPTION	DATE	DWN	APVD
		-		SEE SHEET 1	-	-	-



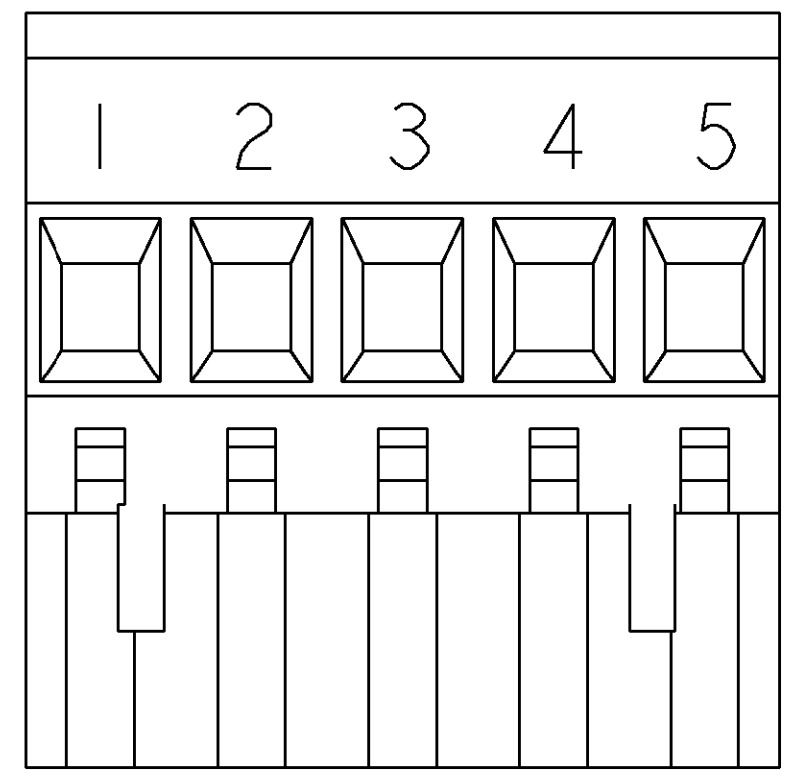
2-284046-7 AS SHOWN



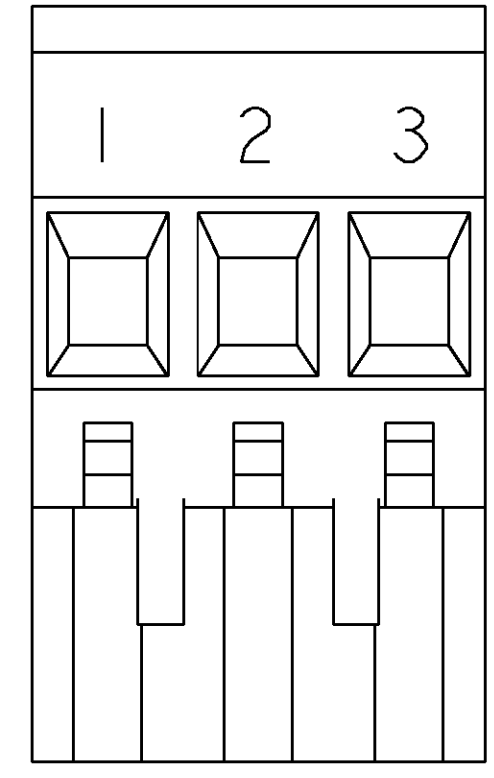
3-284046-0 AS SHOWN



2-284046-6 AS SHOWN



2-284046-9 AS SHOWN



3-284046-1 AS SHOWN

<small>THIS DRAWING IS A CONTROLLED DOCUMENT FOR TYCO ELECTRONICS CORPORATION IT IS SUBJECT TO CHANGE AND THE CONTROLLING ENGINEERING ORGANIZATION SHOULD BE CONTACTED FOR THE LATEST REVISION.</small>		DWN S. WELDON 05FEB2003 CHK C. RICHARD 05FEB2003 APVD C. RICHARD 05FEB2003	Tyco Electronics Harrisburg, PA 17105-3608	
DIMENSIONS: mm	TOLERANCES UNLESS OTHERWISE SPECIFIED: 0 PLC ±.3 1 PLC ±.3 2 PLC ±.25 3 PLC ±.3 4 PLC ±.3 ANGLES ±2 FINISH	PRODUCT SPEC - APPLICATION SPEC - WEIGHT -	NAME TERMINAL BLOCK, VERTICAL PLUG, STACKING, RIGHT HAND, 5.00mm PITCH	
MATERIAL -		CUSTOMER DRAWING	SIZE A2 CAGE CODE 00779 DRAWING NO. 284046	RESTRICTED TO - SCALE 4:1 SHEET 2 OF 2 REV E